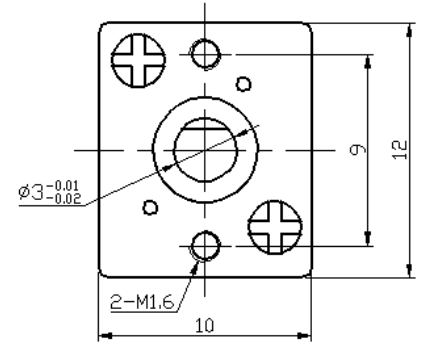
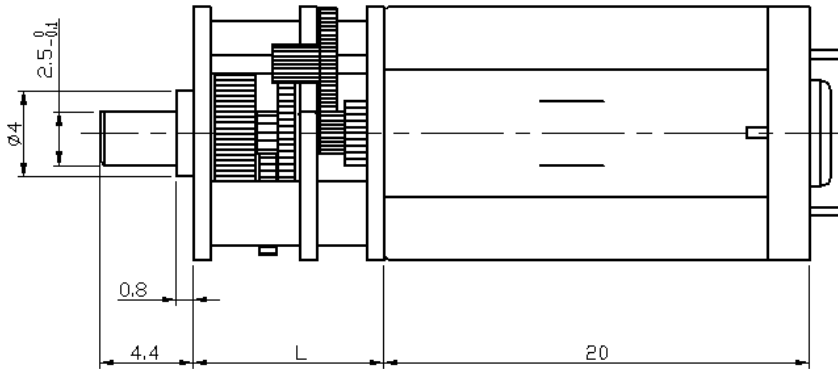


DM-12SSN30 DC SPUR GEAR MOTOR

基本电压/Main voltage : 3VDC、4.5VDC、6VDC、12VDC

典型应用/Typical applications :

仪器仪表、数码产品、自动门锁、医疗器械、安防监控
 Instrument, Digital product, Automatic door-lock,
 Medical equipment, Security monitoring



Gearbox Data :

Number of stages	2	4	5	7
Reduction ratio	3、5、10	17、20、30、36 50、63、100	110、150、210 250、298、380	372、625、1000
Gearbox length "L"mm	9	9	9	12
Breaking torque(kgf.cm)	0.6	0.9	1.2	2
Gearbox efficiency	81%	65%	59%	48%

Driving Motor Data :

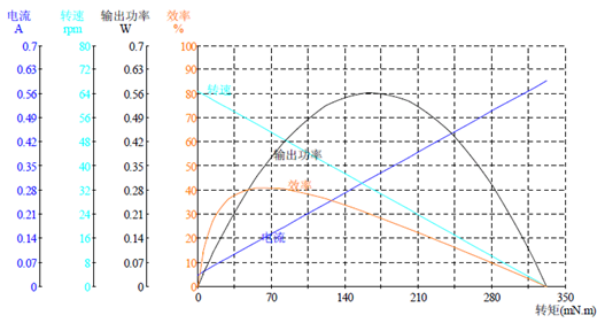
Motor model	Rated Volt.	No load		Load				Stall	
		Current	Speed	Current	Speed	Torque	Output power	Torque	Current
	V	mA	r/min	mA	r/min	gf.cm	W	gf.cm	mA
DM-N30-006-10000	6	≤ 30	10000	≤ 110	7500	4	0.3	≥ 16	≥ 280
DM-N30-006-15000	6	≤ 55	15000	≤ 200	11250	6	0.7	≥ 24	≥ 490
DM-N30-006-25000	6	≤ 100	25000	≤ 370	18750	8	1.5	≥ 32	≥ 1500

Geared Motor Data :

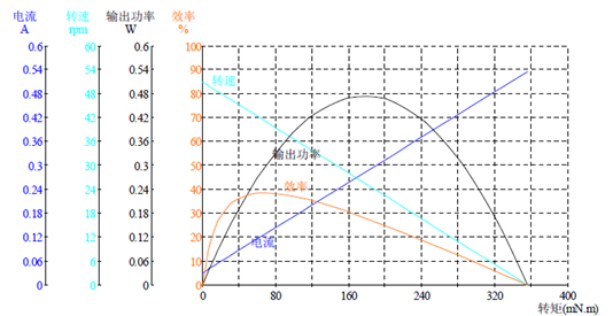
电机型号 Motor model	额定电压 Rated Volt.	空载/No load		负载/Load				堵转/Stall	
		电流 Current	转速 Speed	电流 Current	转速 Speed	扭矩 Torque	输出功率 Output power	扭矩 Torque	电流 Current
	V	A	r/min	A	r/min	kgf.cm	W	kgf.cm	A
DM-12SSN3000315000-250K	3.0	0.06	57.3	0.28	45.9	0.60	0.28	2.90	1.18
DM-12SSN3000317500-50K	3.0	0.12	322.7	0.46	246.6	0.21	0.52	0.88	1.55
DM-12SSN303.322000-100K	3.3	0.11	220.2	0.53	178.2	0.38	0.69	1.97	2.33
DM-12SSN303.322500-100K	3.3	0.13	219.1	0.59	174.1	0.37	0.66	1.80	2.36
DM-12SSN304.520500-50K	4.5	0.08	393.5	0.41	321.0	0.25	0.82	1.40	1.85
DM-12SSN304.523400-63K	4.5	0.11	360.1	0.48	294.2	0.30	0.93	1.70	2.15
DM-12SSN304.526300-63K	4.5	0.15	398.3	0.70	316.3	0.43	1.41	2.10	2.83
DM-12SSN3000517500-50K	5.0	0.03	356.5	0.17	301.9	0.11	0.35	0.73	0.94
DM-12SSN3000520000-100K	5.0	0.05	196.9	0.30	164.4	0.42	0.71	2.60	1.58
DM-12SSN3000610000-100K	6.0	0.02	105.9	0.08	86.0	0.17	0.15	0.90	0.33
DM-12SSN3000610000-150K	6.0	0.02	67.8	0.08	53.4	0.35	0.19	1.63	0.32
DM-12SSN3000610000-250K	6.0	0.02	42.7	0.09	33.6	0.57	0.20	2.68	0.32
DM-12SSN3000610000-298K	6.0	0.02	36.3	0.08	29.1	0.61	0.18	3.10	0.33
DM-12SSN3000612000-30K	6.0	0.04	390.0	0.13	291.8	0.07	0.20	0.26	0.37
DM-12SSN3000615000-100K	6.0	0.03	159.7	0.12	132.2	0.19	0.26	1.10	0.58
DM-12SSN3000615000-150K	6.0	0.03	105.9	0.12	87.8	0.34	0.31	2.00	0.59
DM-12SSN3000615000-250K	6.0	0.03	64.8	0.15	51.5	0.70	0.37	3.40	0.60
DM-12SSN3000615000-298K	6.0	0.03	50.9	0.13	40.6	0.73	0.31	3.60	0.54
DM-12SSN3000623500-298K	6.0	0.06	78.6	0.30	64.4	0.97	0.64	5.38	1.39

Curve Chart :

Model: DM-12SSN3000615000-250K



Model: DM-12SSN3000615000-298K



Remark:

**Gear Motor Torque=Driving motor torque*Reduction ratio*Gearbox efficiency;
Gear Motor Speed=Driving motor speed/Reduction ratio**

**Motor detailed config can be customized according to customer's requests,
like voltage,speed,as well as shaft length and shape...**

Welcome OEM or ODM projects